

ROOM:

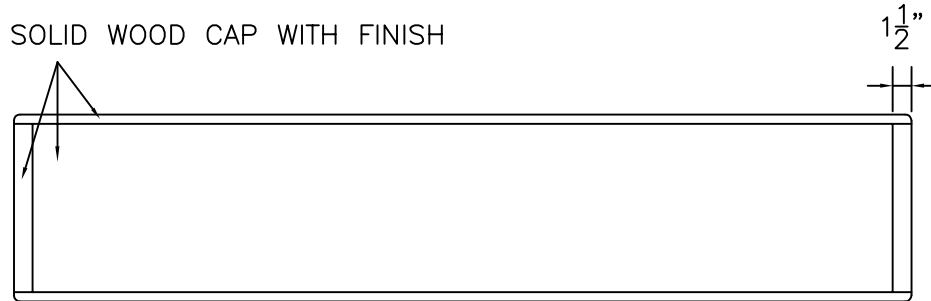
LENGTH

QUANTITY

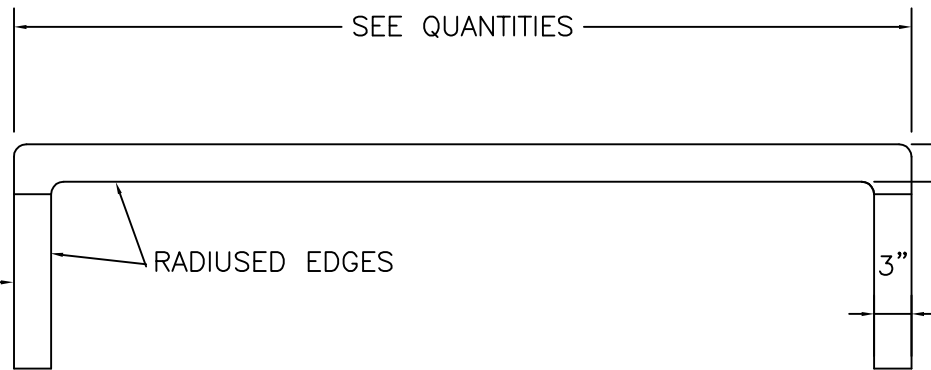
WATERFALL BENCH

WOOD VENEER BENCHES AVAILABLE IN RED OAK, MAPLE, CHERRY, MAHOGANY AND VARIOUS OTHER SPECIES

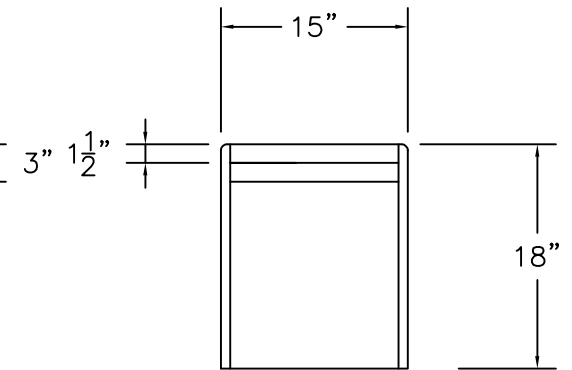
TOP VIEW



VENEER ENDS WITH FINISH



FRONT ELEVATION



SIDE SECTION

\*CUSTOM DIMENSIONS AVAILABLE UPON REQUEST



**HOLLMAN, INC.**  
 2118 Parkside Ave., Irving, TX 75061  
 P: 972/313-1121 F: 972/313-1125

Waterfall  
 Bench

DATE:	APPROVED:	DRAWN BY:
PROJECT:		
DRAWING NO. WF-BENCH		