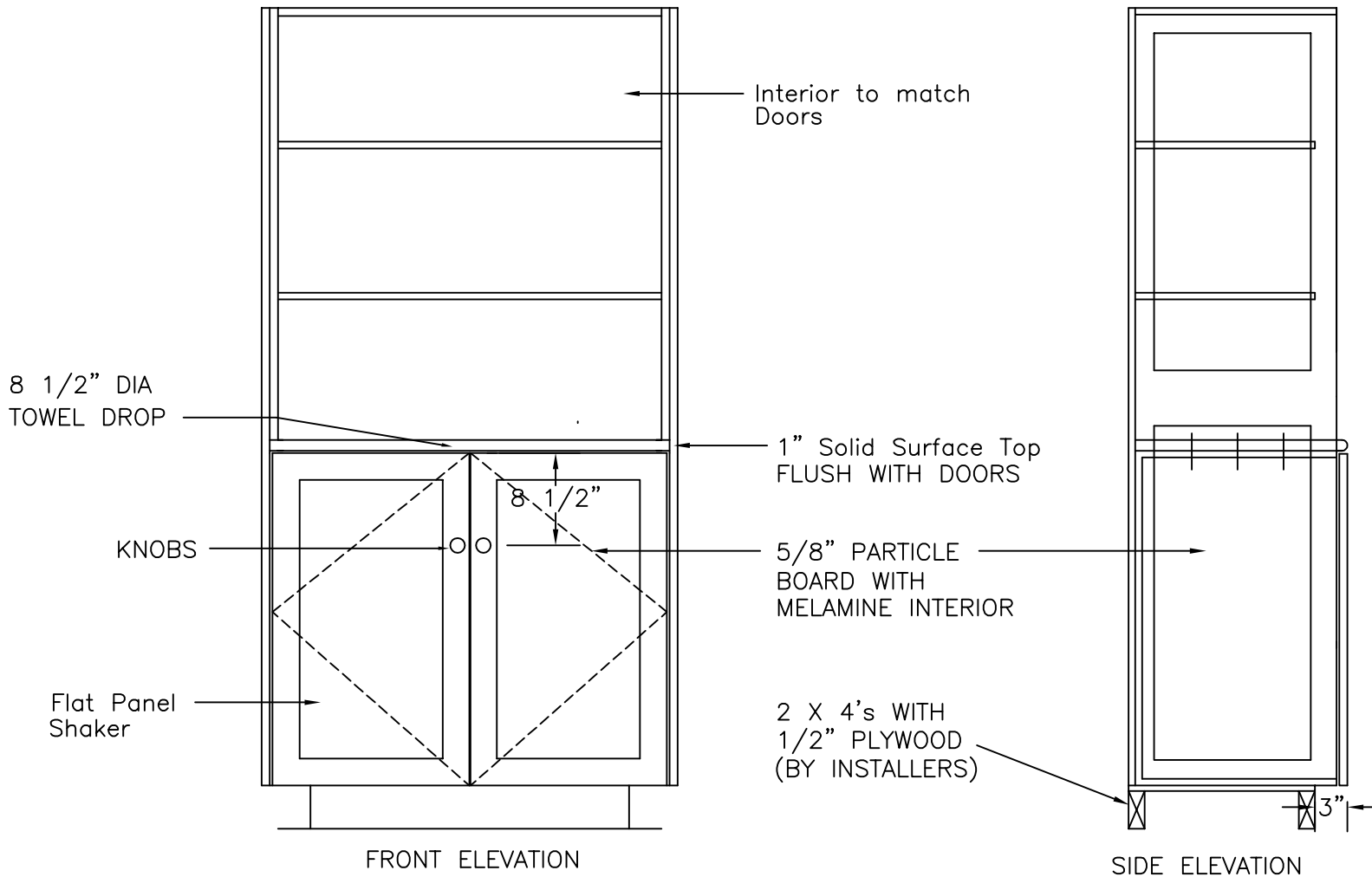


Door:
 Finish
 Edgband:
 Hardware:

QTY.: ___ at Men's Rm.
 ___ at Women's Rm.



HOLLMAN, INC.
 1825 Walnut Hill Lane, Irving, TX 75038
 P: 972/331-2800 F: 972/313-1125

TOWEL DROP

DATE:	APPROVED:	DRAWN BY:
PROJECT:		
DRAWING NO. TD		