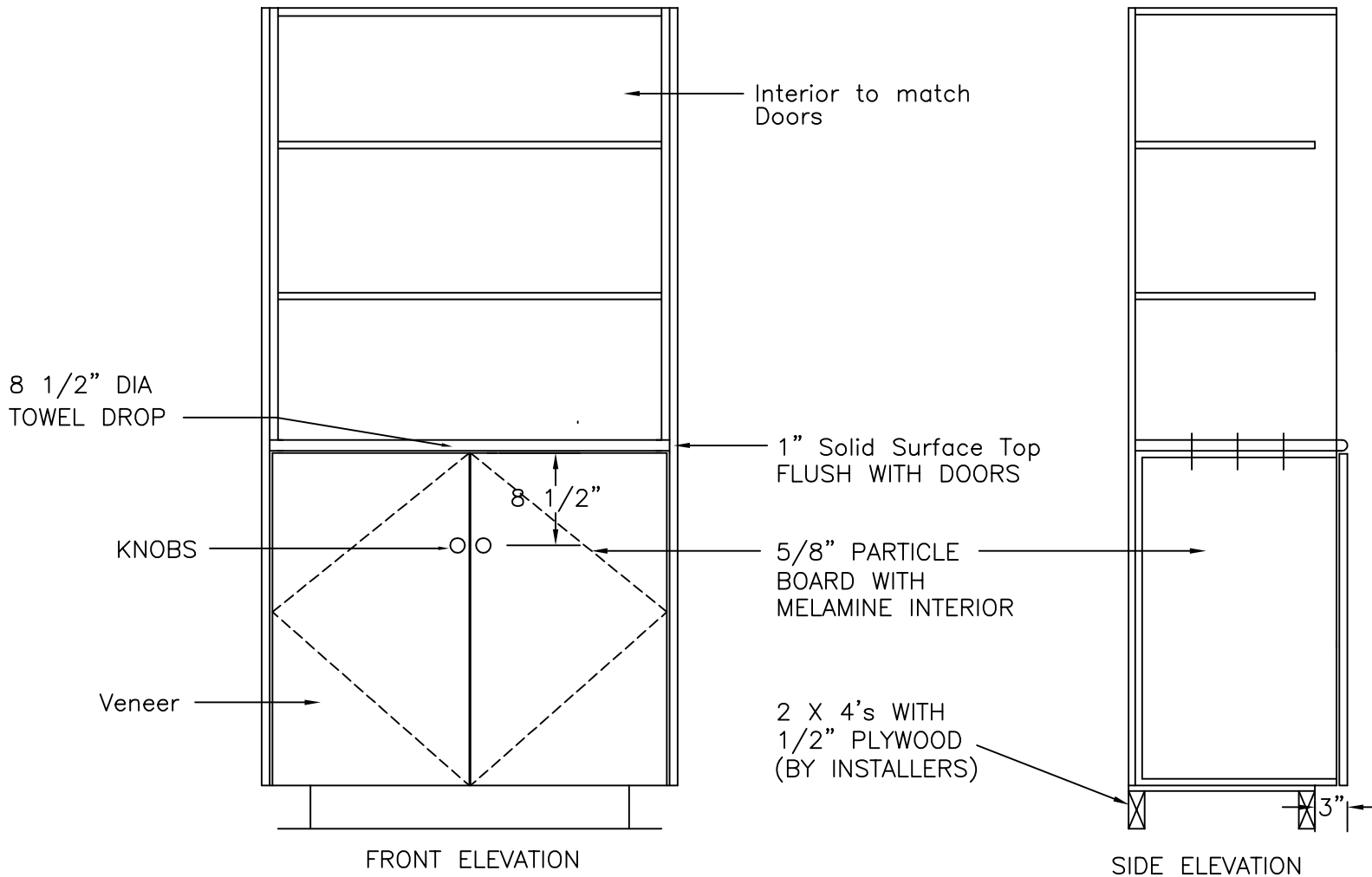


Door:  
 Finish:  
 Edgband:  
 Hardware:

QTY.: \_\_\_ at Men's Rm.  
 \_\_\_ at Women's Rm.



**HOLLMAN, INC.**  
 1825 Walnut Hill Lane, Irving, TX 75038  
 P: 972/331-2800 F: 972/313-1125

# TOWEL DROP

DATE:	APPROVED:	DRAWN BY:
PROJECT:		
DRAWING NO. TD		