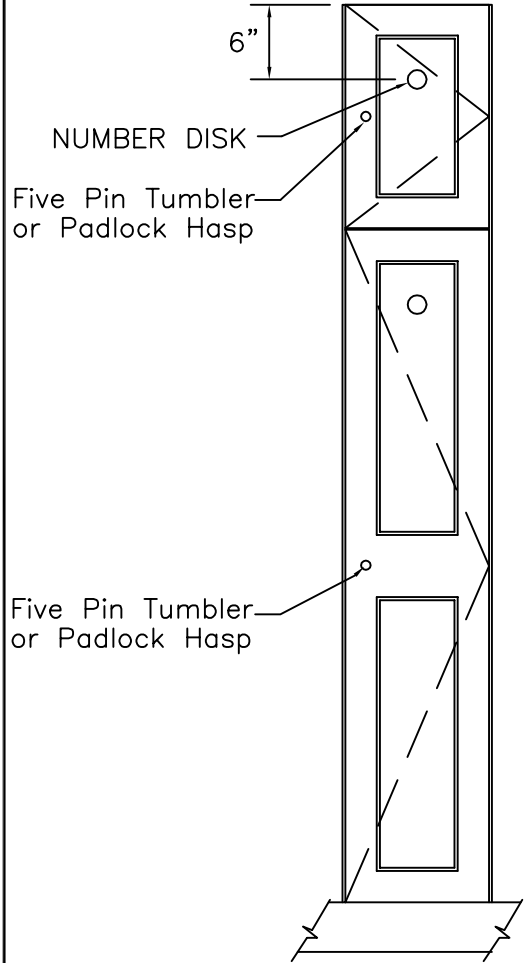
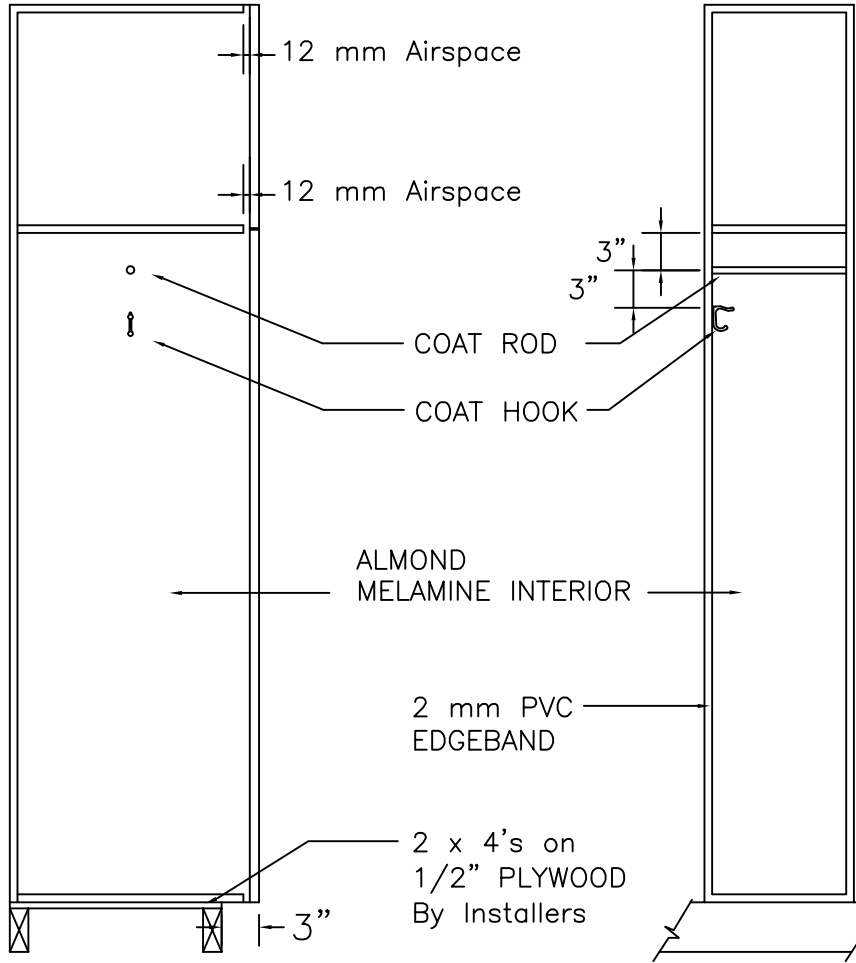


Locker Doors:
 Finish:
 Edgeband:
 Lock:
 Hardware:
 No. Sequence:

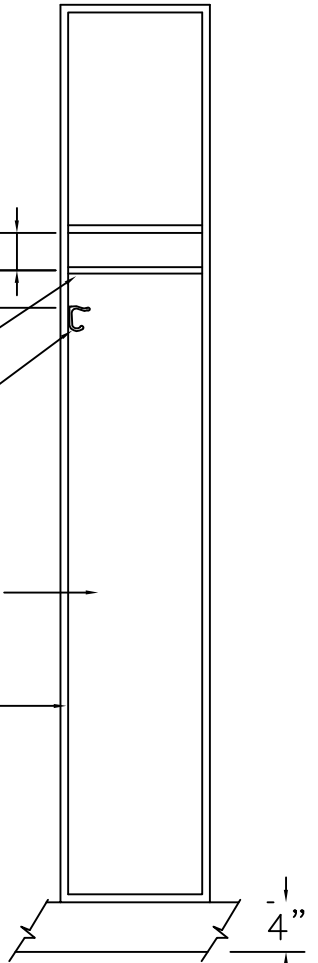
QTY: ___ Lockers at Men's Rm.
 ___ Lockers at Women's Rm.



FRONT ELEVATION



SECTION VIEW



FRONT ELEV.-DOOR REMOVED



HOLLMAN, INC.
 1825 Walnut Hill Lane, Irving, TX 75038
 P: 972/331-2800 F: 972/331-2921

Model G

DATE:	APPROVED:	DRAWN BY:
PROJECT:		
Scale: 3/4" = 1'-0"		DRAWING NO. G