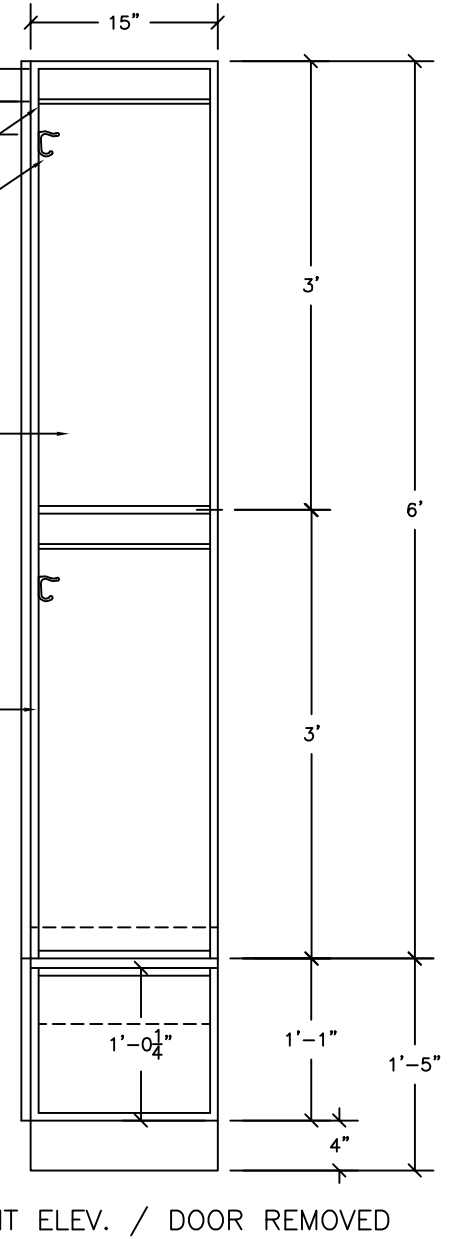
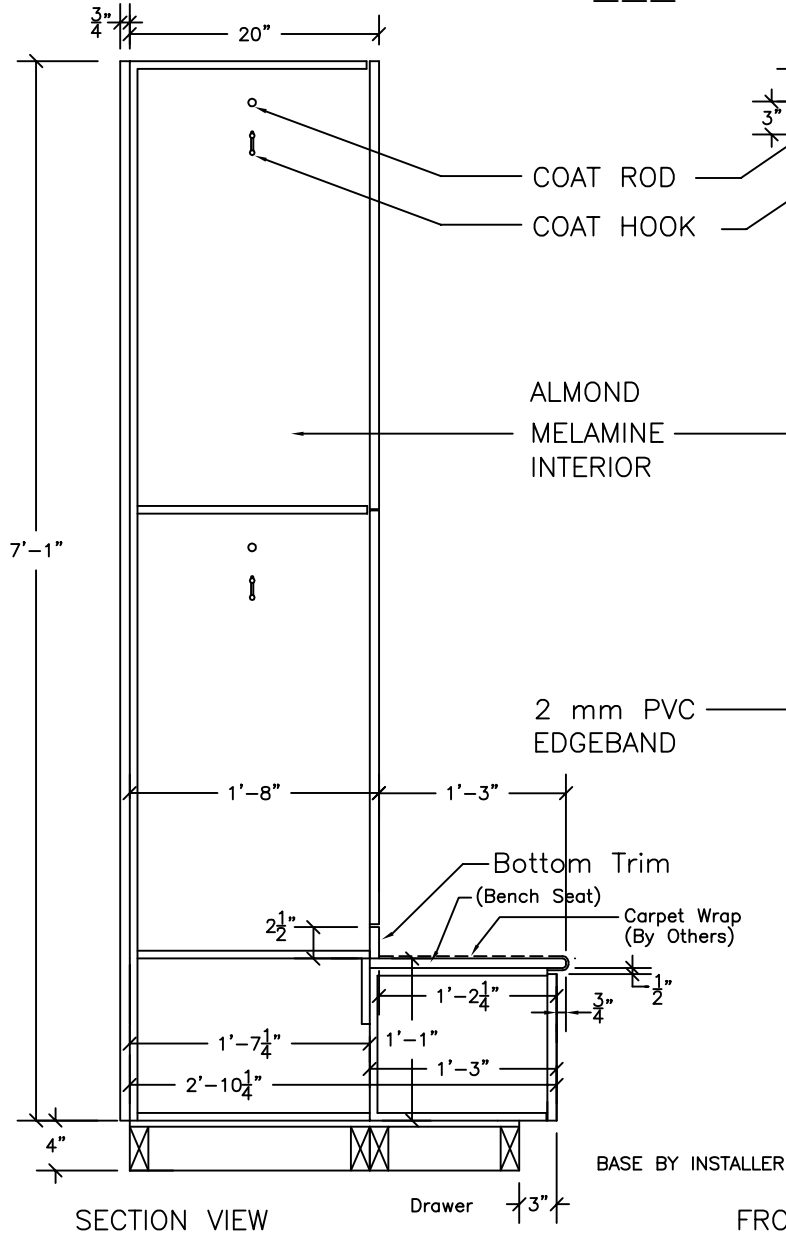
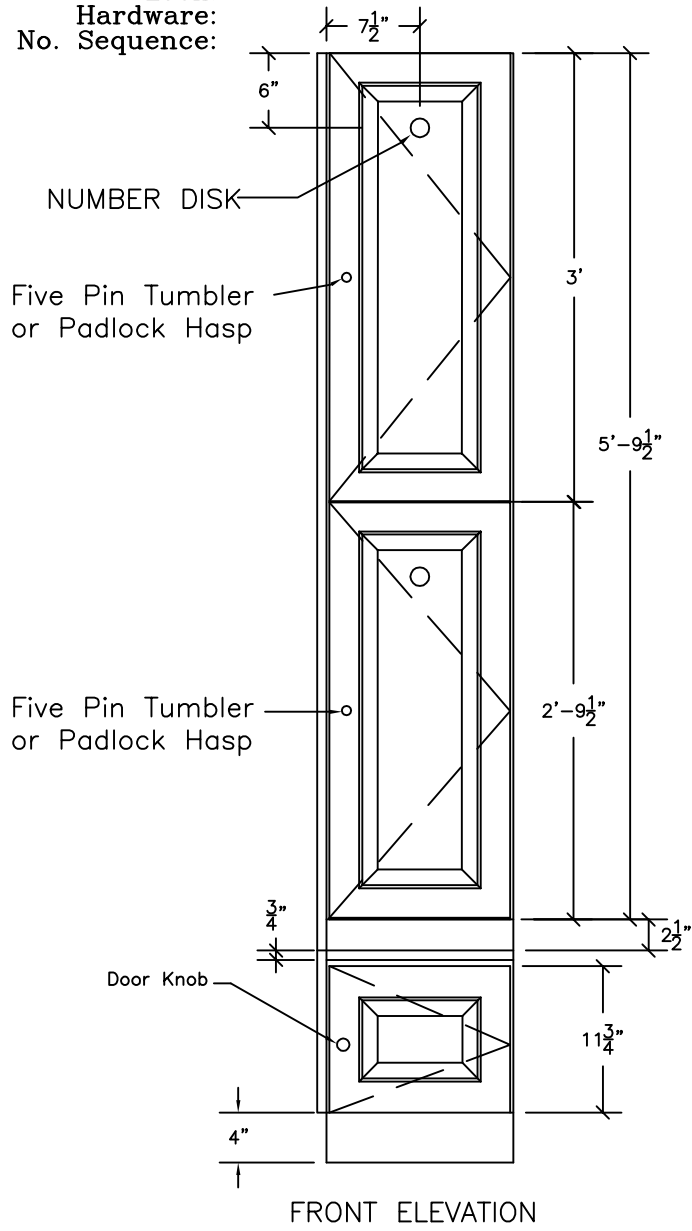


Locker Doors:  
 Finish:  
 Edgeband:  
 Lock:  
 Hardware:  
 No. Sequence:

QTY.: \_\_\_ Locker at Men's Rm.  
 \_\_\_ Locker at Women's Rm.



**HOLLMAN, INC.**  
 1825 Walnut Hill Lane, Irving, TX 75038  
 P: 972/331-2800 F: 972/331-2921

Model B-1/Custom  
 Hollman Locker

|                     |           |                      |
|---------------------|-----------|----------------------|
| DATE:               | APPROVED: | DRAWN BY:            |
| PROJECT:            |           |                      |
| Scale: 3/4" = 1'-0" |           | DRAWING NO.<br>B-wbs |