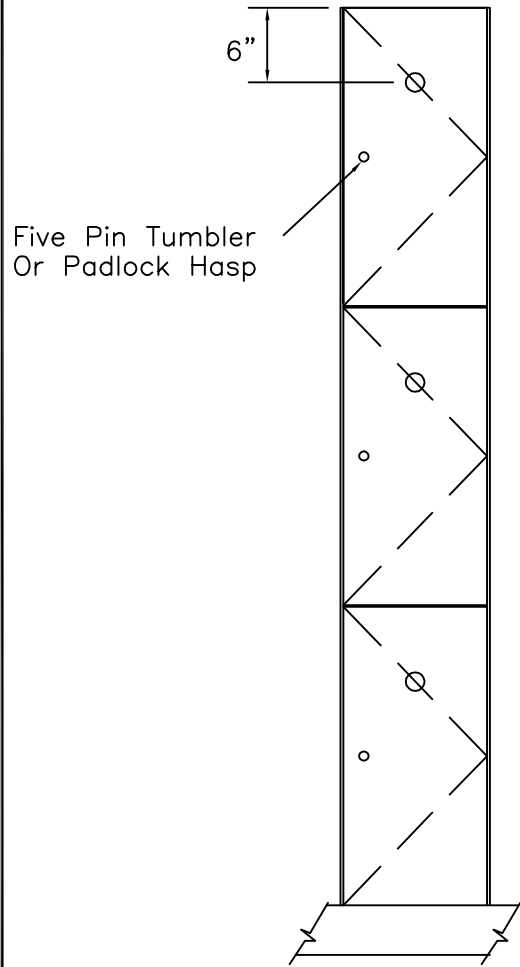
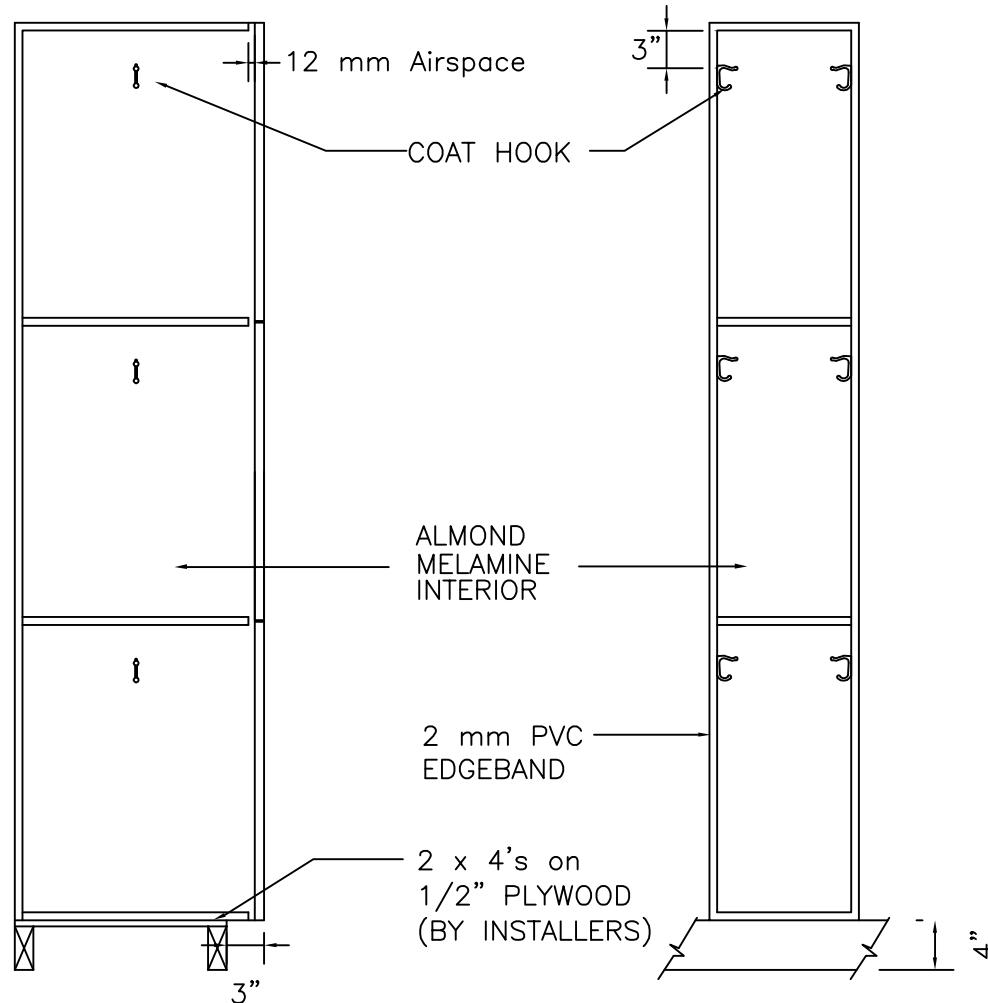


Locker Doors:  
 Edgeband:  
 Lock:  
 Hardware:  
 No. Sequence:

QTY: \_\_\_ lockers at Men's Rm.  
 \_\_\_ lockers at Women's Rm.



FRONT ELEVATION



SECTION VIEW

FRONT ELEV.-DOOR REMOVED



**HOLLMAN, INC.**  
 1825 Walnut Hill Lane, Irving, TX 75038  
 P: 972/331-2800 F: 972/331-2921

Model C

DATE:	APPROVED:	DRAWN BY:
PROJECT:		
		DRAWING NO. C