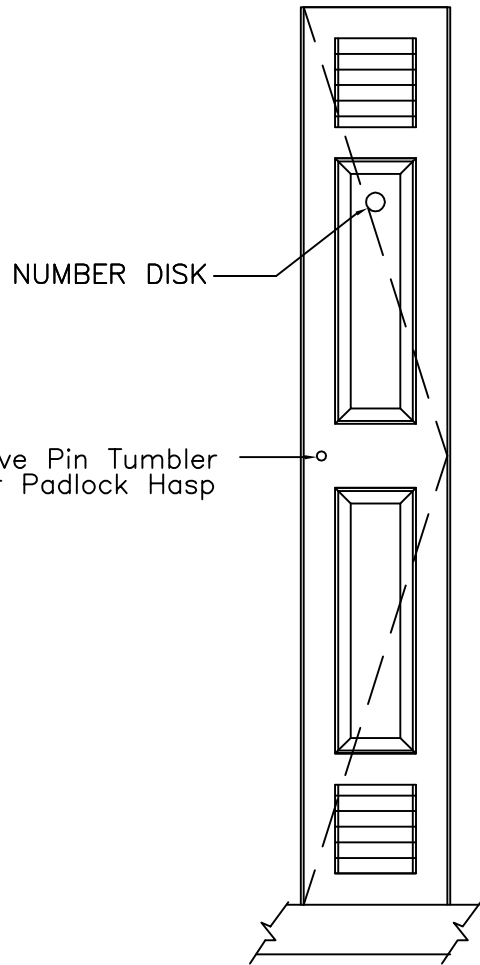
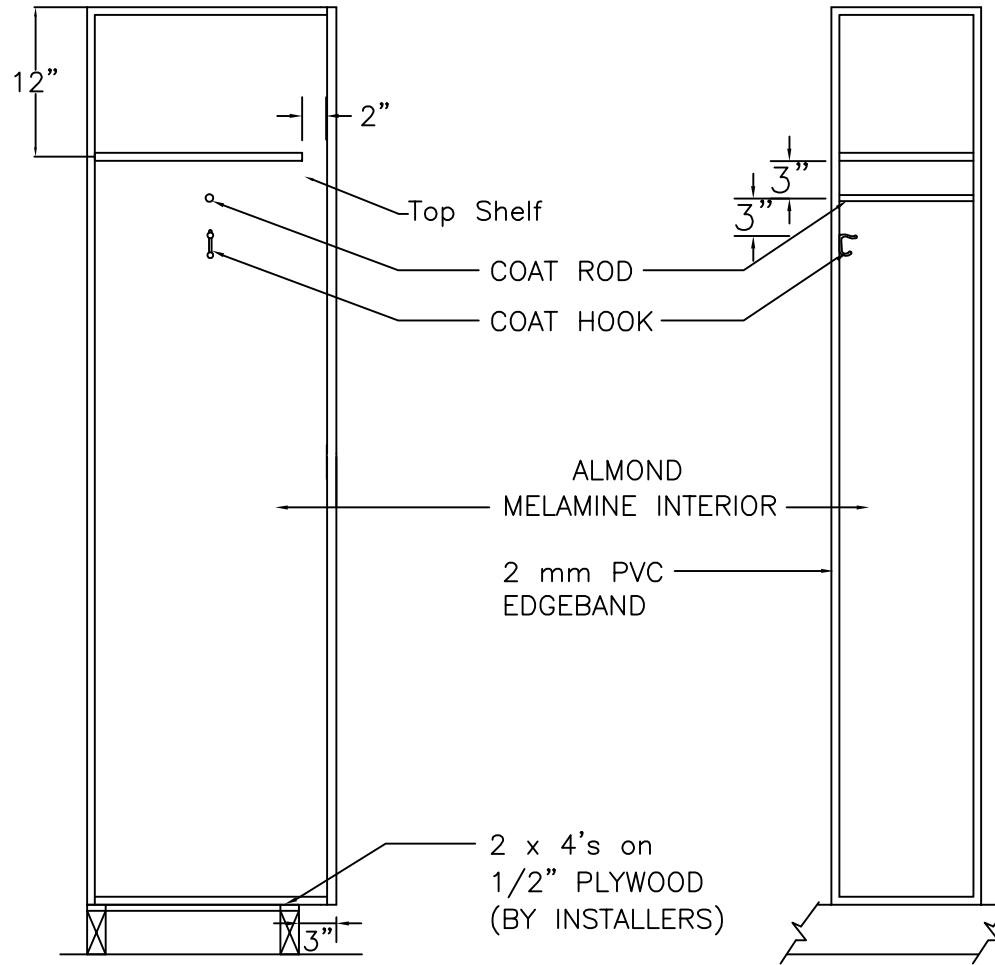


Locker Doors:
 Finish:
 Edgeband:
 Lock:
 Hardware:
 No. Sequence:

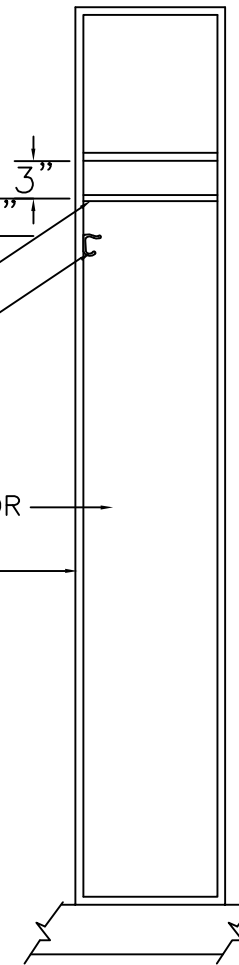
QTY.: ___ Locker at Men's Rm.
 ___ Locker at Women's Rm.



FRONT ELEVATION



SECTION VIEW



FRONT ELEV.-DOOR REMOVED



HOLLMAN, INC.
 1825 Walnut Hill Lane, Irving, TX 75038
 P: 972/331-2800 F: 972/331-2921

Model A

DATE:	APPROVED:	DRAWN BY:
PROJECT:		
		DRAWING NO. A