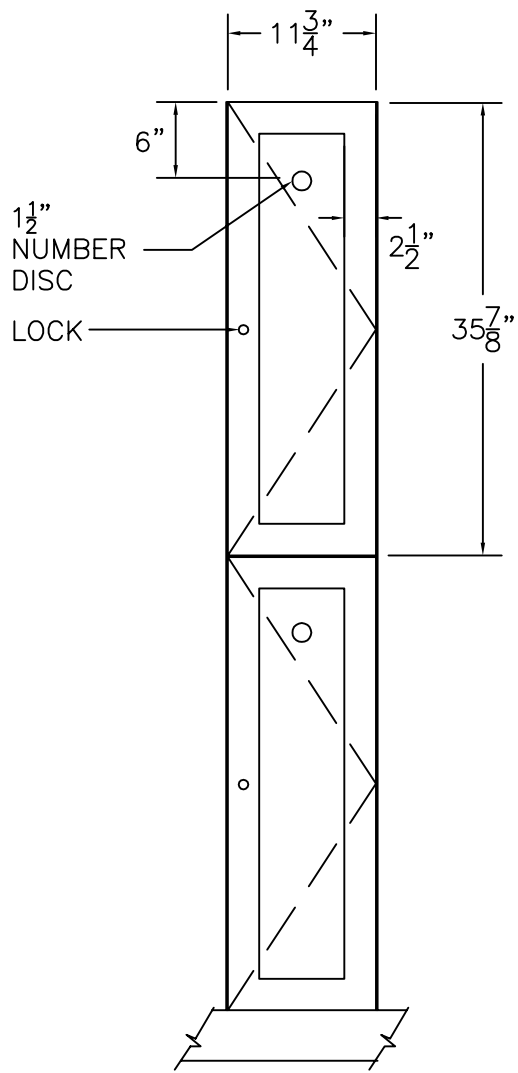
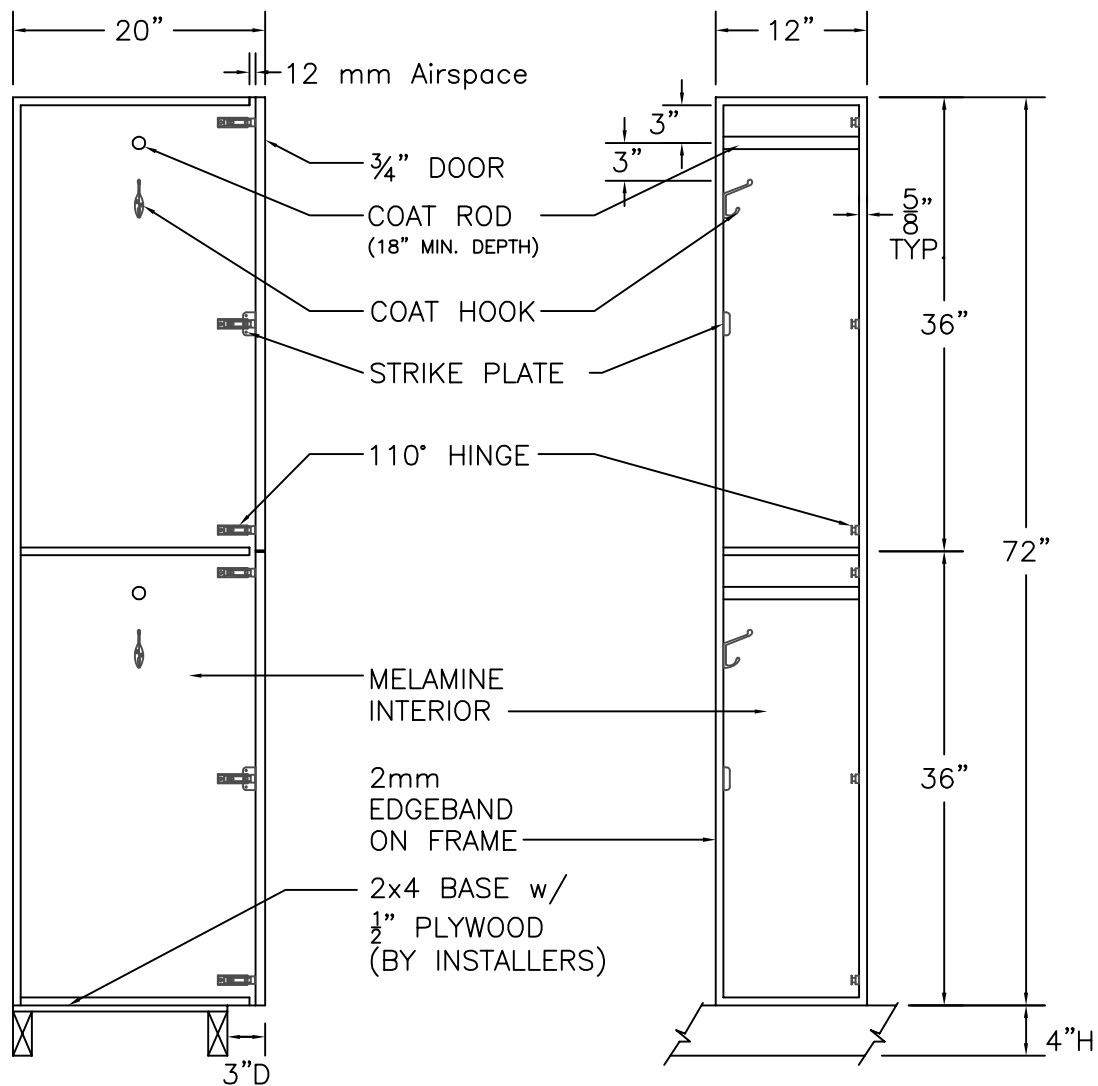


STANDARD SIZE OPTIONS: H = 60"/72"/84"
W = 12"/15"/18"
D = 15"/18"/20"



FRONT ELEVATION



SECTION VIEW

FRONT ELEV.-DOOR REMOVED

HOLLMAN
SINCE 1976

1825 W. Walnut Hill Lane, Irving TX, 75038
P: (972)815-4000 F: (972)815-2921
www.hollman.com

MODEL B
FLAT PANEL SHAKER DOOR

| | | |
|------------------|-----------|--------------|
| DATE: | DRAWN BY: | APPROVED BY: |
| | | |
| SCALE: 3/4" = 1' | | DRAWING: |