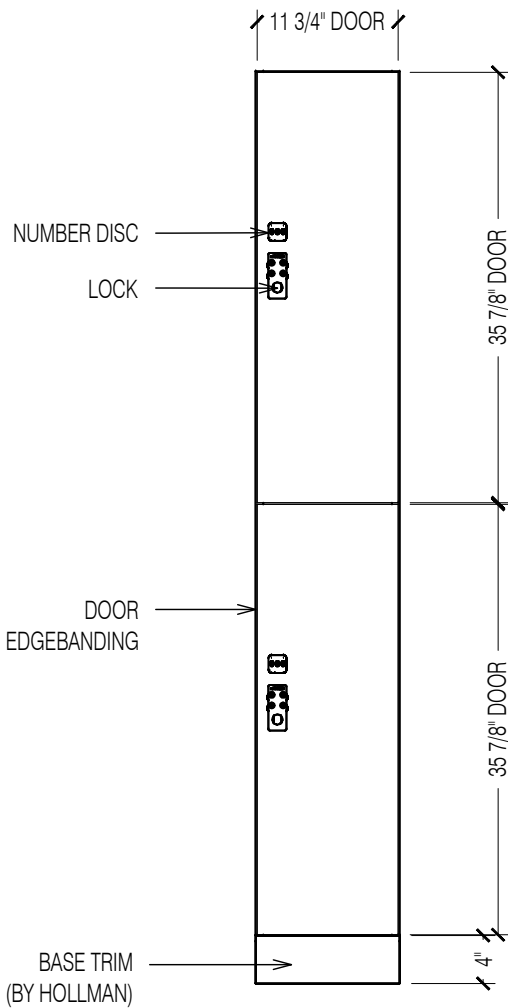
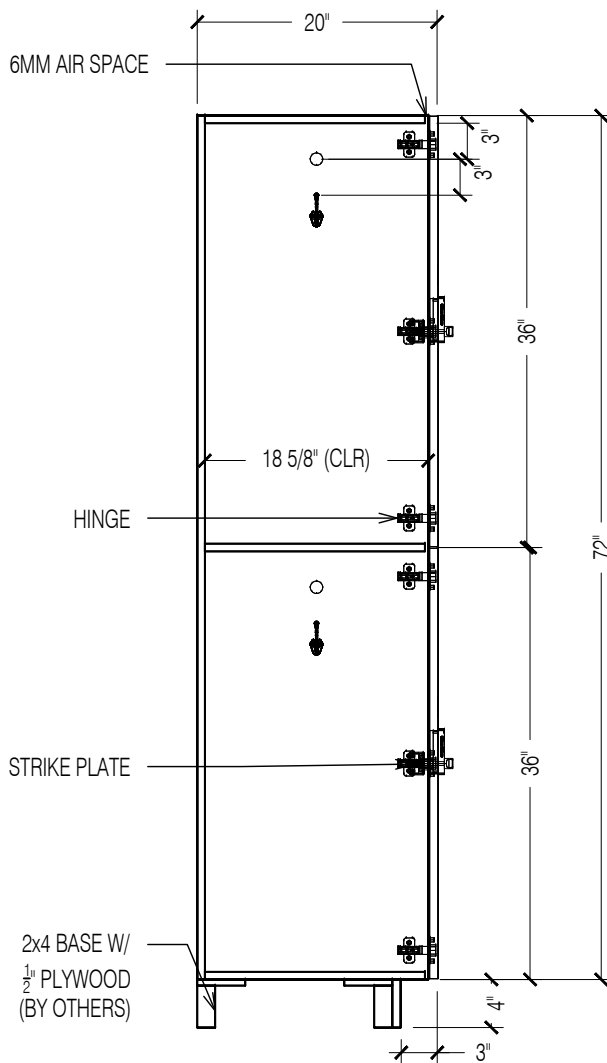


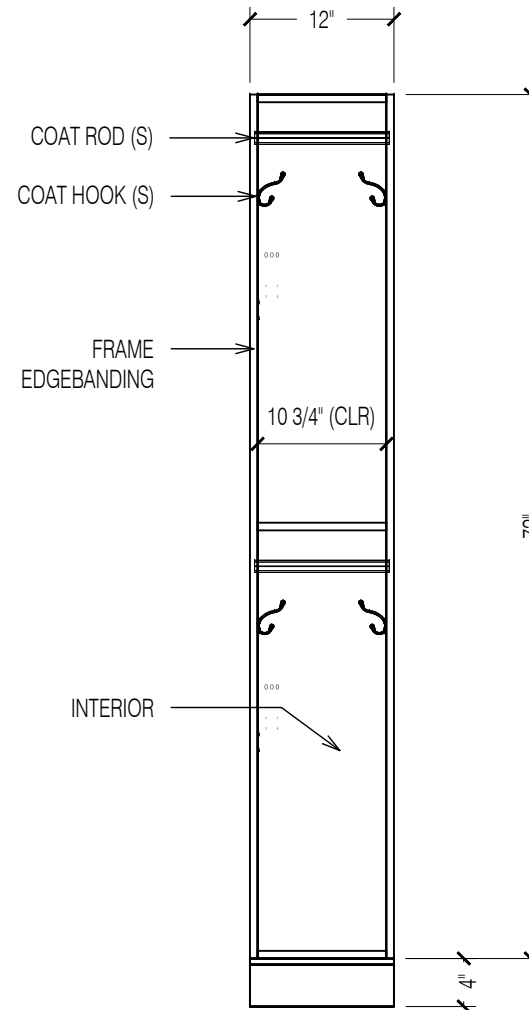
STANDARD SIZE OPTIONS: H = 60"/72"
 W = 12"/15"/18"
 D = 15"/18"/20"



1 FRONT VIEW
 3/4" = 1'



2 SECTION VIEW
 3/4" = 1'



3 OPEN VIEW
 3/4" = 1'

HOLLMAN
SINCE 1976

1825 W. Walnut Hill Lane, Irving TX, 75038
 P: (972)815-4000 F: (972)815-2921
 www.hollman.com

PROJECT TITLE:
 Hollman Inc

SHEET TITLE:

MODEL - B1

1	-
2	-
3	-
4	-
5	-

ITEM	DESCRIPTION
DOOR STYLE:	SLAB DOOR
DOOR MAT.-FINISH:	
INTERIOR MAT.:	
EDGE BAND (frame):	
EDGE BAND (door):	
LOCK TYPE:	LOCK
HARDWARE FINISH:	

PRODUCTION USE ONLY

LJ #:
LO #:
DATE STARTED 2/8/2019
LATEST REVISION 2/8/2019
DRAWN BY:
RELEASED BY:
SHEET	02

QTY : XX

This document is the property of Hollman, Inc. and is not to be used without written permission.