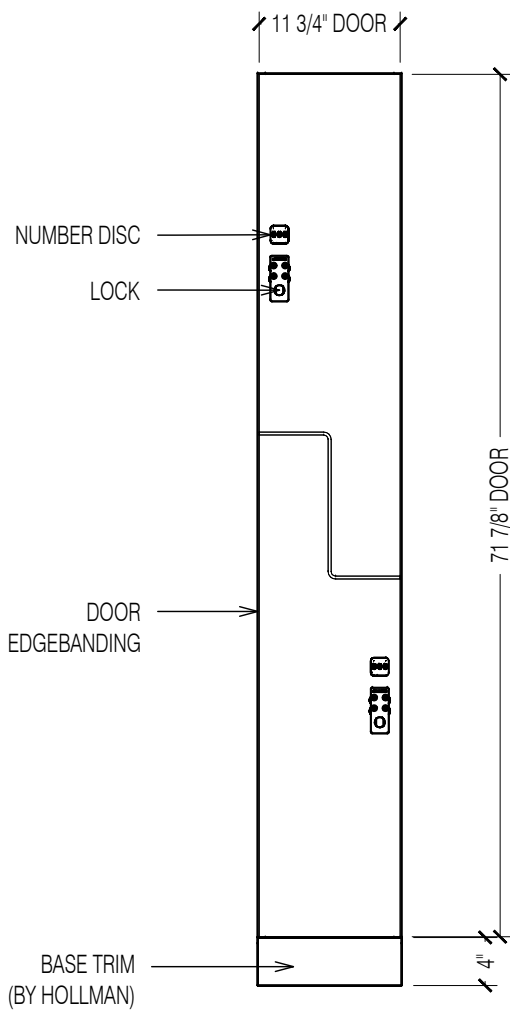
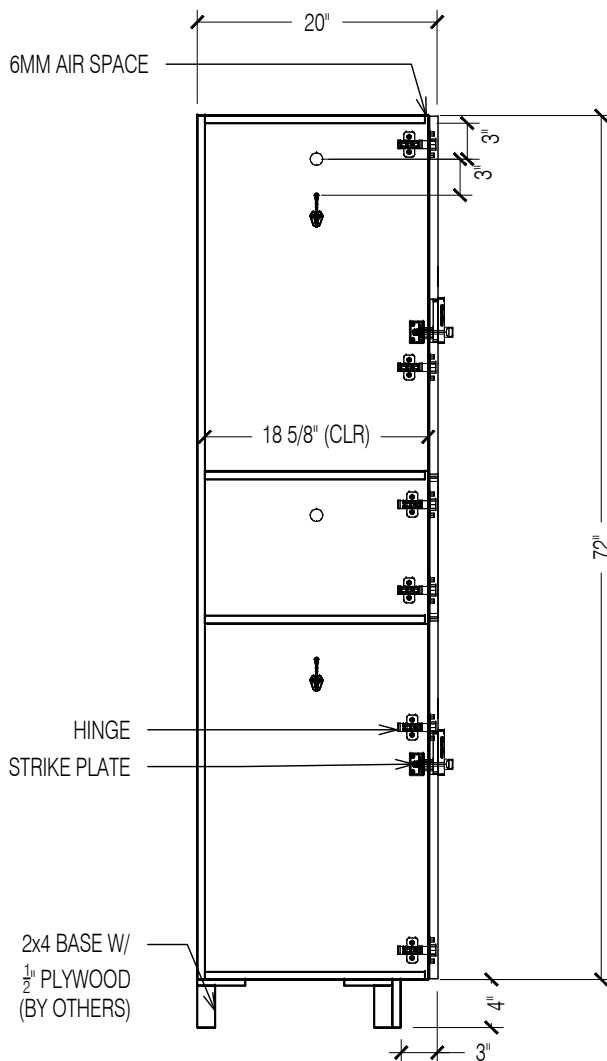


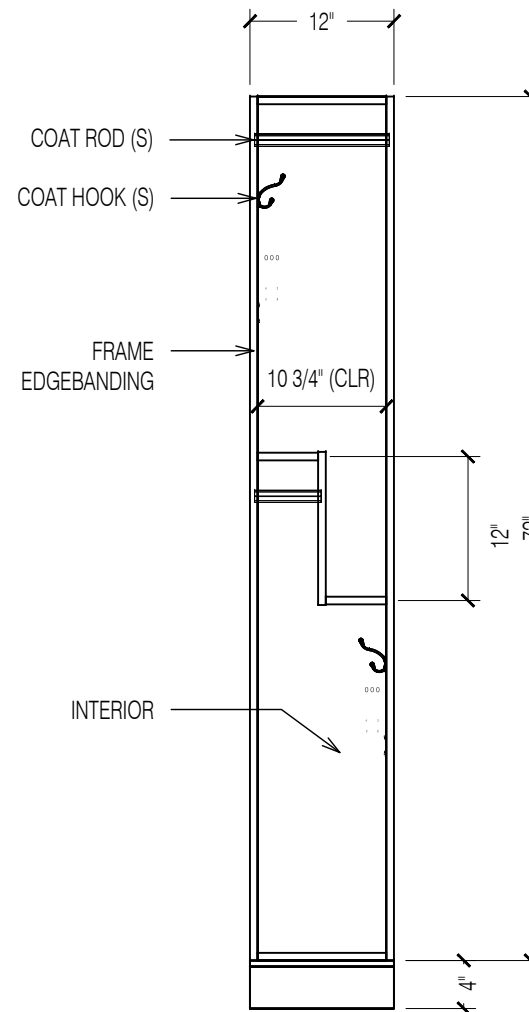
STANDARD SIZE OPTIONS: H = 60"/72"  
 W = 12"/15"/18"  
 D = 15"/18"/20"



1 FRONT VIEW  
 3/4" = 1"



2 SECTION VIEW  
 3/4" = 1"



3 OPEN VIEW  
 3/4" = 1"

**HOLLMAN**  
SINCE 1976

1825 W. Walnut Hill Lane, Irving TX, 75038  
 P: (972)815-4000 F: (972)815-2921  
 www.hollman.com

PROJECT TITLE:  
 Hollman Inc

SHEET TITLE:

MODEL - Z1

- 1 -
- 2 -
- 3 -
- 4 -
- 5 -

ITEM	DESCRIPTION
DOOR STYLE:	SLAB DOOR
DOOR MAT. FINISH:	
INTERIOR MAT.:	
EDGE BAND (frame):	
EDGE BAND (door):	
LOCK TYPE:	LOCK
HARDWARE FINISH:	

PRODUCTION USE ONLY	
LJ #:	.....
LO #:	.....
DATE STARTED	..... 2/8/2019
LATEST REVISION	..... 2/8/2019
DRAWN BY:	
RELEASED BY:	
SHEET	11

QTY : XX

This document is the property of Hollman, Inc. and is not to be used without written permission.