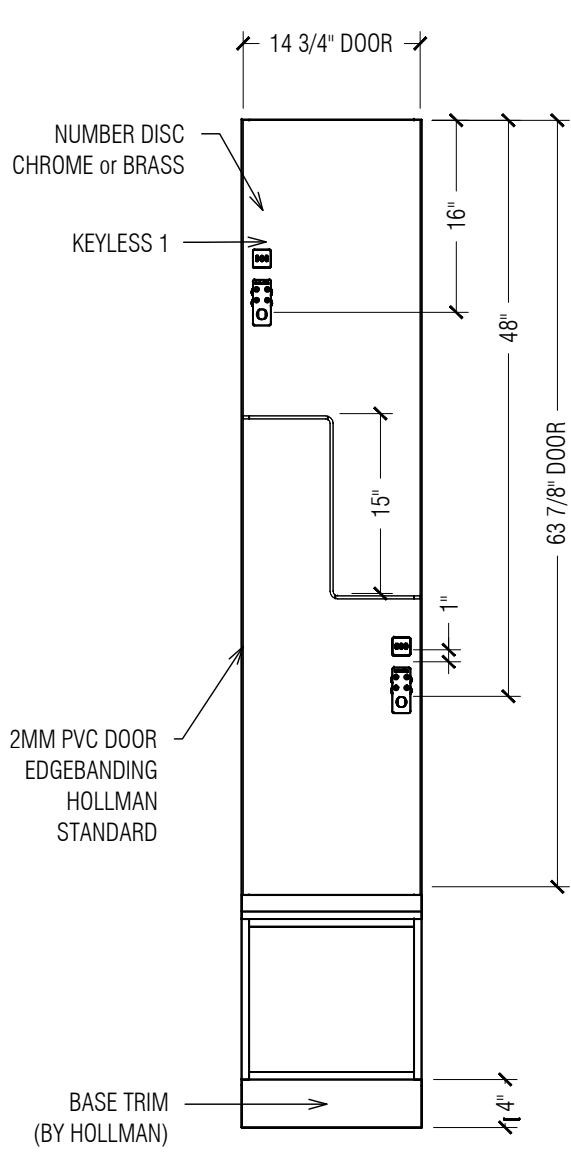
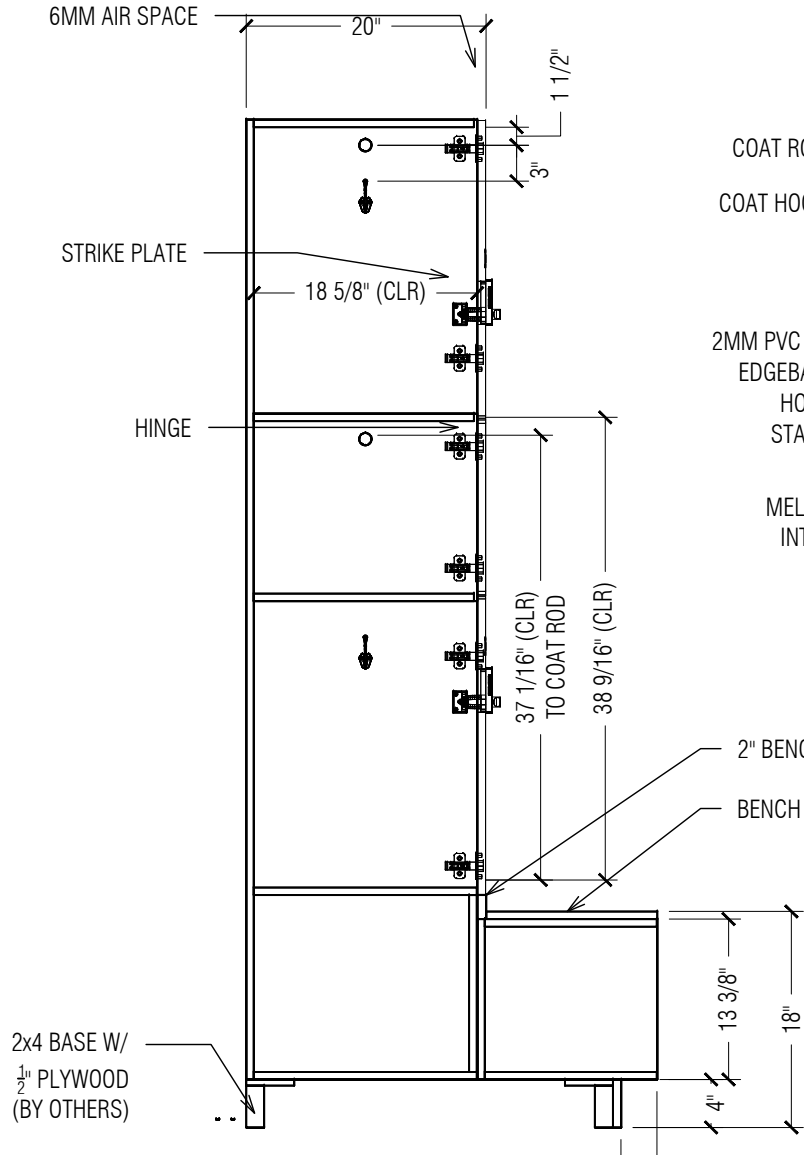


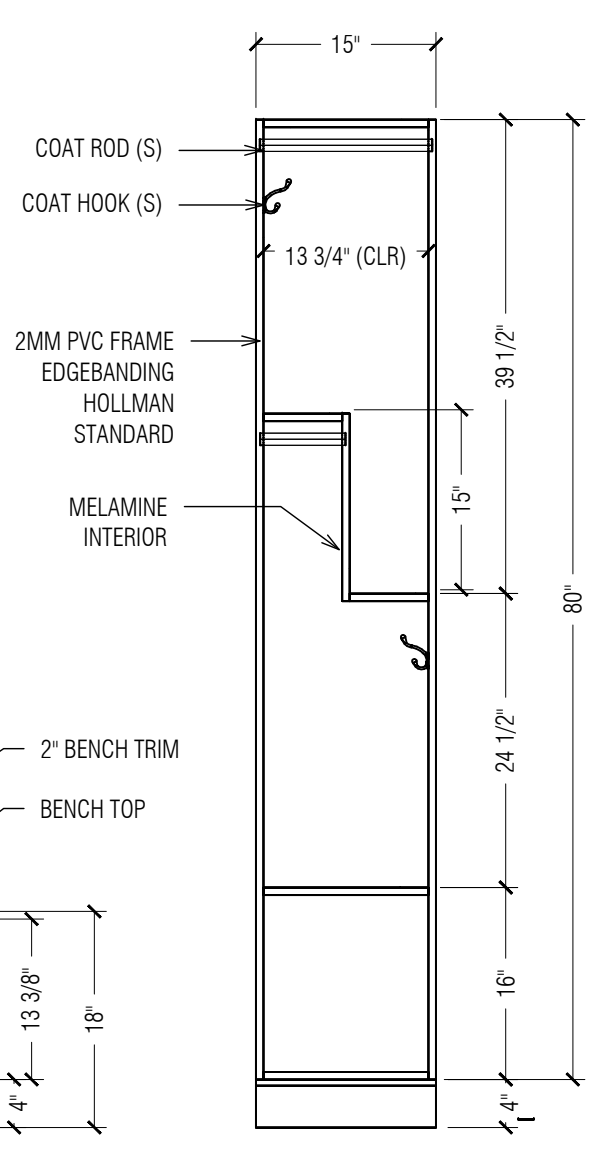
This document is the property of Hollman, Inc. and is not to be used without written permission.



1 FRONT VIEW  
3/4" = 1"



2 SECTION VIEW  
3/4" = 1"



3 OPEN VIEW  
3/4" = 1"



1825 W. Walnut Hill Lane, Irving TX, 75038  
P: (972)815-4000 F: (972)815-2921  
www.hollman.com

PROJECT TITLE:  
**MODEL Z LOCKER**

1	-
2	-
3	-
4	-
5	-

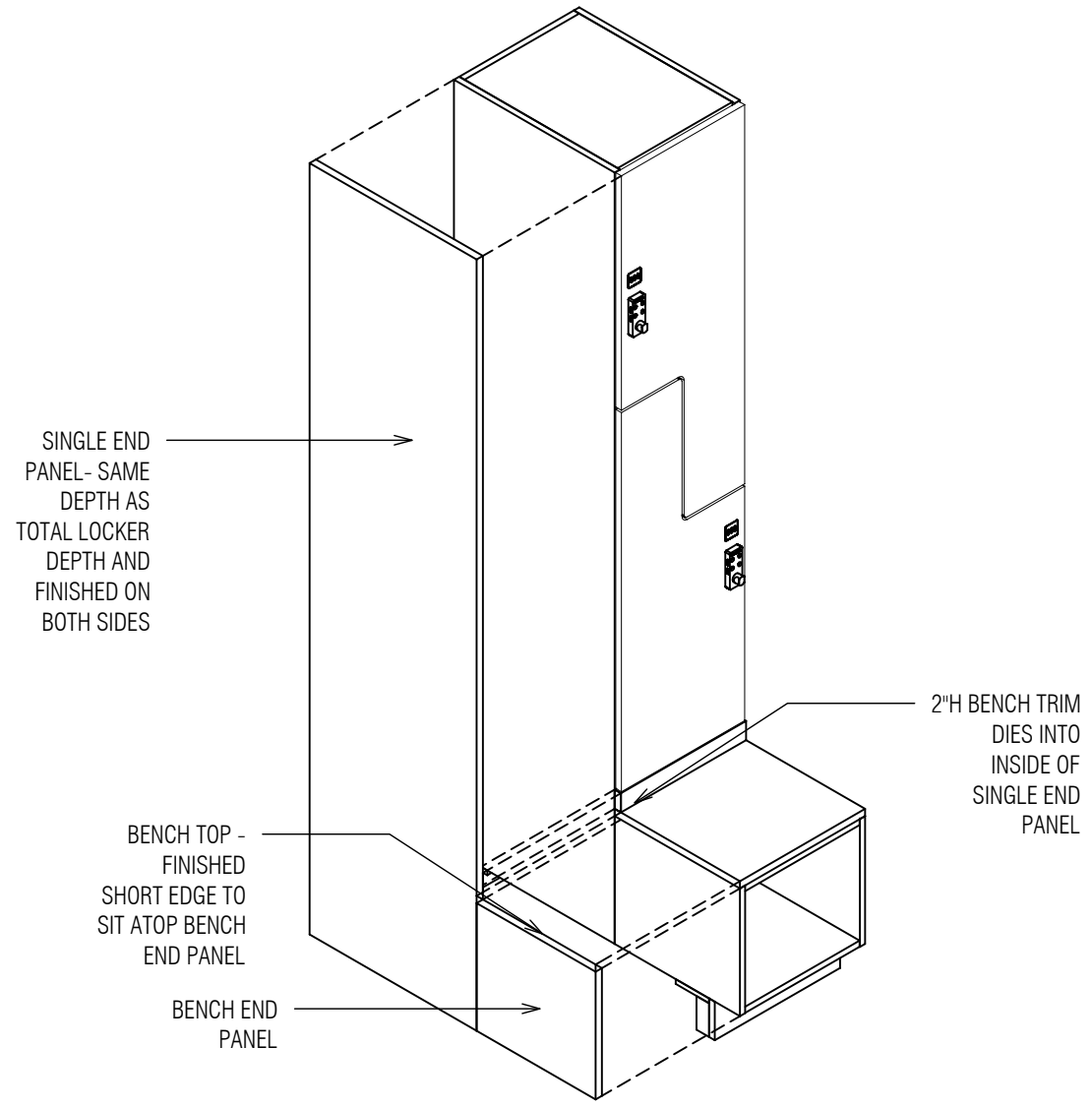
ITEM	DESCRIPTION
DOOR STYLE:	PLAM DOOR
DOOR MAT.-FINISH:	WILSONART STANDARD
INTERIOR MAT.:	MELAMINE INTERIOR
EDGE BAND (frame):	HOLLMAN STANDARD
EDGE BAND (door):	HOLLMAN STANDARD
LOCK TYPE:	KEYLESS 1
HARDWARE FINISH:	CHROME or BRASS

PRODUCTION USE ONLY	
LJ #:	.....
LO #:	.....
DATE STARTED	.....2/12/2018
LATEST REVISION	.....2/12/2018
DRAWN BY:	.....
RELEASED BY:	.....
SHEET:	<b>01</b>

SHEET TITLE: **MODEL Z-INTEGRATED BENCH LOCKER (HOLLMAN STANDARD CONFIGURATION)**

QTY: **XX**

This document is the property of Hollman, Inc. and is not to be used without written permission.



PROJECT TITLE:  
**MODEL Z LOCKER**

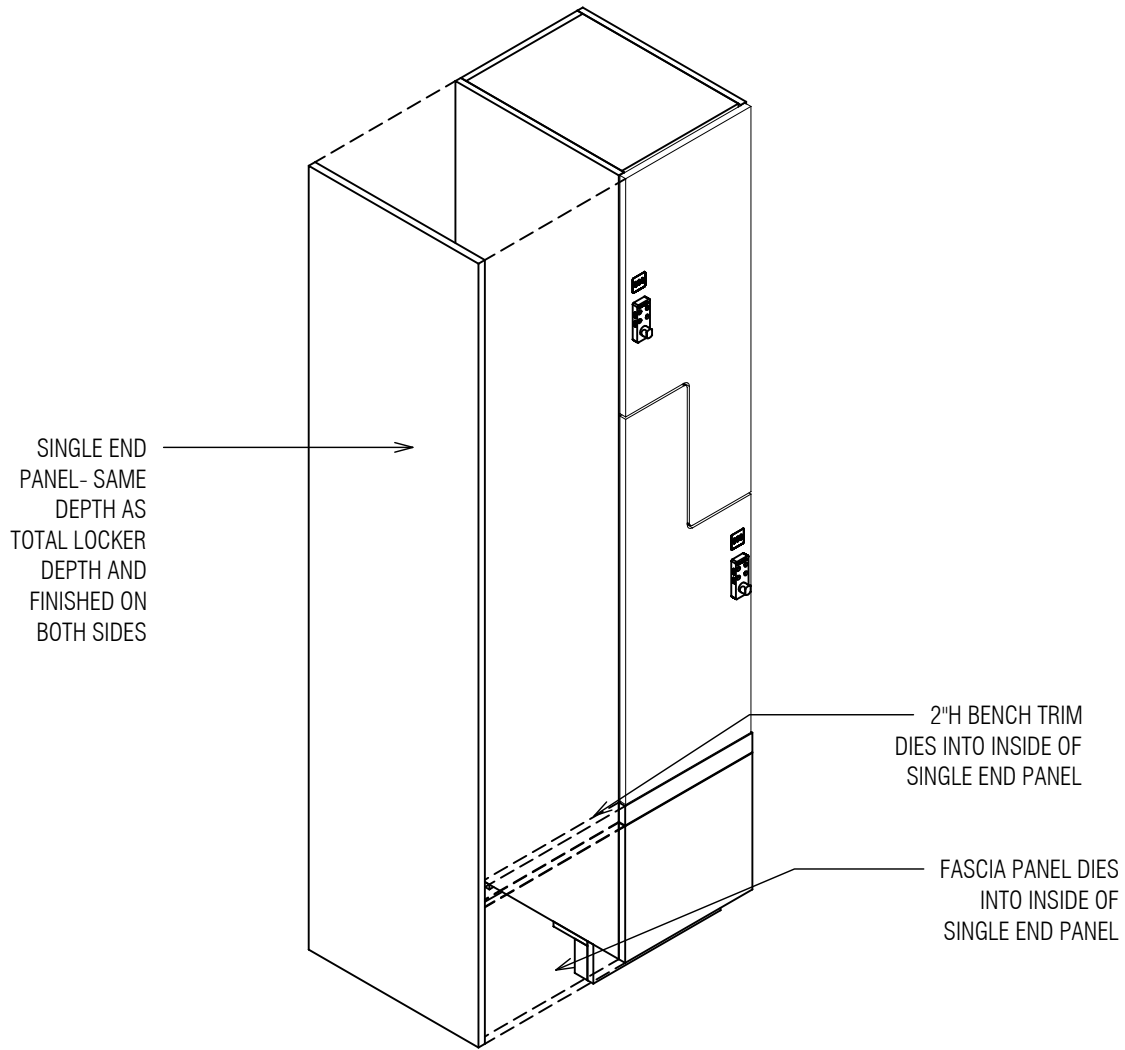
SHEET TITLE: **INTEGRATED BENCH INSTALL - ADA W/ FASCIA PANEL**

QTY: **NA**

PRODUCTION USE ONLY	
LJ #:	.....
LO #:	.....
DATE STARTED	.....2/12/2018
LATEST REVISION	.....2/12/2018
DRAWN BY:	.....
RELEASED BY:	.....
SHEET	<b>INST</b>

This document is the property of Hollman, Inc. and is not to be used without written permission.

IF CUBBY IS UNDERNEATH  
LOCKER INSTEAD OF FASCIA  
ONLY THE BENCH TRIM DIES  
INTO END PANEL - CUBBY  
SHOULD BE SAME OVERALL  
DEPTH AS LOCKER



SINGLE END  
PANEL - SAME  
DEPTH AS  
TOTAL LOCKER  
DEPTH AND  
FINISHED ON  
BOTH SIDES

2"H BENCH TRIM  
DIES INTO INSIDE OF  
SINGLE END PANEL

FASCIA PANEL DIES  
INTO INSIDE OF  
SINGLE END PANEL

**HOLLMAN**  
SINCE 1976

1825 W. Walnut Hill Lane, Irving TX, 75038  
P: (972)815-4000 F: (972)815-2921  
www.hollman.com

PROJECT TITLE:  
**MODEL Z LOCKER**

SHEET TITLE: **ADA INTEGRATED BENCH INSTALL**

PRODUCTION USE ONLY

LJ #: .....  
LO #: .....  
DATE STARTED .....2/12/2018  
LATEST REVISION .....2/12/2018

DRAWN BY: .....  
RELEASED BY: .....  
SHEET: **INST (2)**

QTY: **NA**