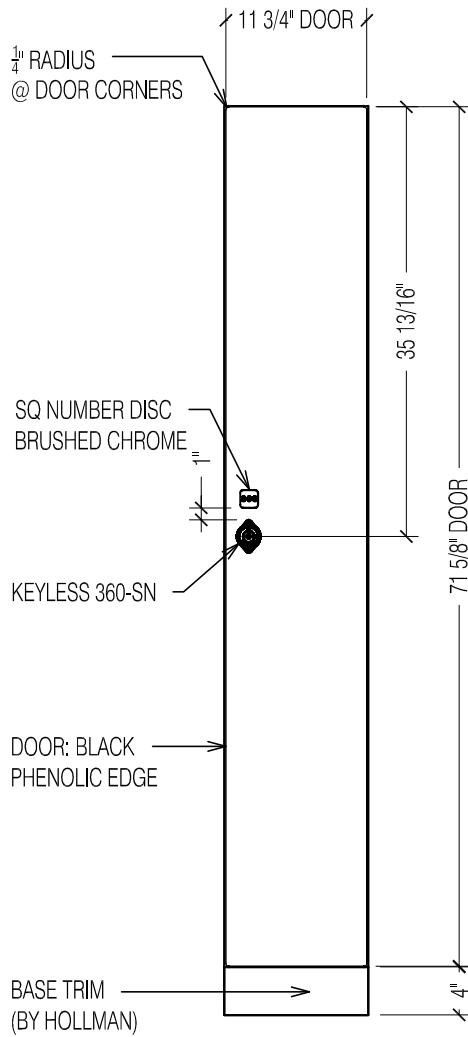
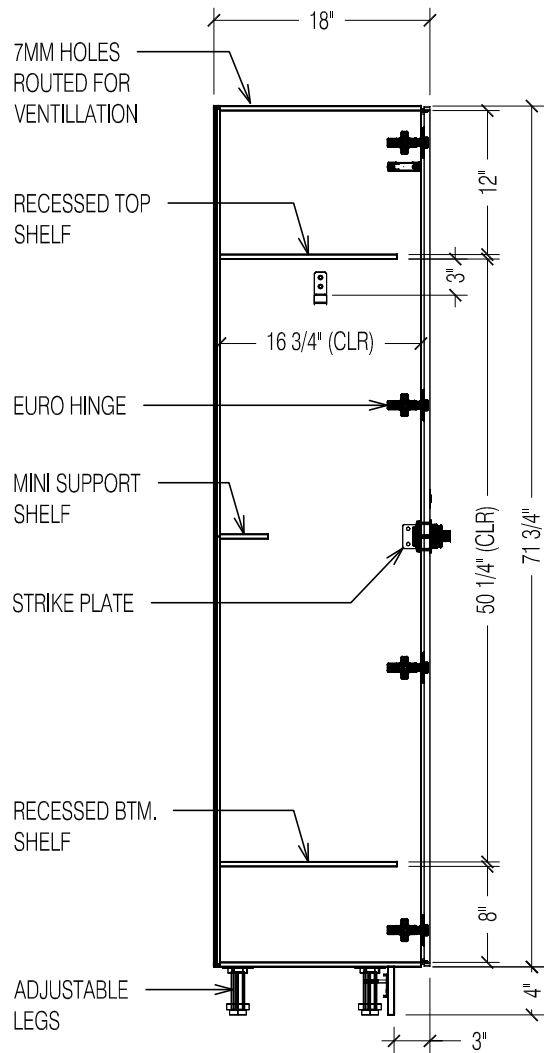


This document is the property of Hollman, Inc. and is not to be used without written permission.

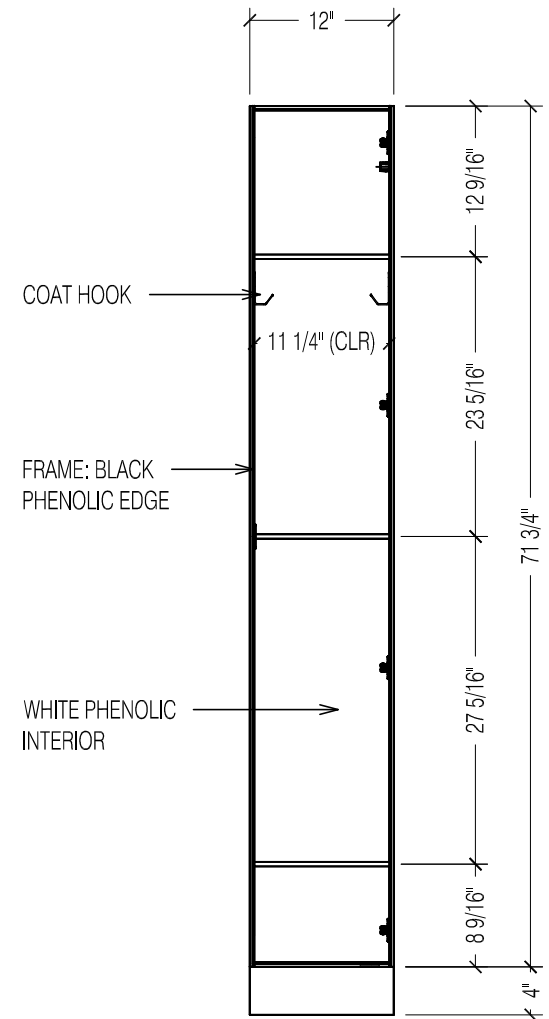
STD. SIZE OPTIONS	H	71.75"H
	W	12"W / 15"W / 18"W
	D	12"D / 15"D / 18"D / 20"D



1 FRONT VIEW 3/4" = 1'



2 SECTION VIEW 3/4" = 1'



3 OPEN VIEW 3/4" = 1'



1825 W. Walnut Hill Lane, Irving TX, 75038
P: (972)815-4000 F: (972)815-2921
www.hollman.com

PROJECT TITLE:
PHENOLIC - MODEL A

1	-
2	-
3	-
4	-
5	-

ITEM	DESCRIPTION
DOOR STYLE:	PHENOLIC DOOR
DOOR MAT.-FINISH:	WILSONART: TBD - PLEASE SPECIFY
INTERIOR MAT.:	WHITE PHENOLIC
LOCK TYPE:	KEYLESS 360-SN
HARDWARE FINISH:	STAINLESS STEEL & BRUSHED CHROME

PRODUCTION USE ONLY	
LJ #:
LO #:
DATE STARTED 1/10/2019
LATEST REVISION 8/26/2019
DRAWN BY:
RELEASED BY:
SHEET:	A

SHEET TITLE: MODEL A

QTY: